

FW 6

Fog Signal

FW 6 Fog Signal is a 2 nm audio signal. The Fog Signal is a new development, compact and lightweight unit designed for marine applications. The Fog Signal is equipped with six compressor drivers and with an integrated power amplifier.

- Signal range 2 nm
- Output 133,2 db at a frequency of 664 Hz
- Corrosion resistant aluminium housing
- Suitable to be powered with solar energy and a battery system
- Maintenance free design
- As standard delivered with Morse U 30 sek audio signal, on request other characters
- As option cable synchronization between signal units
- Used on fixed offshore structures, oil/ gas platforms, offshore wind farms, FSO and FPSO tankers
- Can be installed together with a Sabik fog detector
- Optionally can be produced in yellow colour
- On request fog signals can be approved according to Classification: Factory Mutual (FM) Class I, Division II, Groups C&D (Hazardous Area)



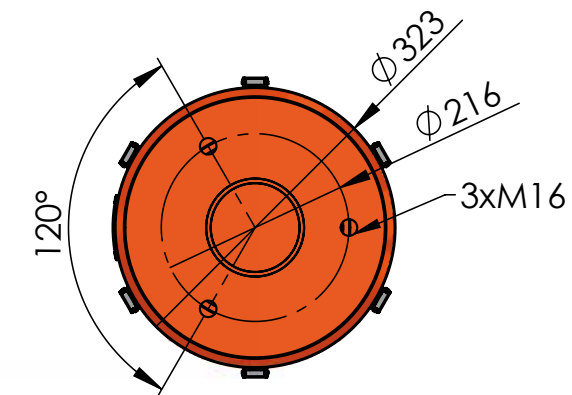
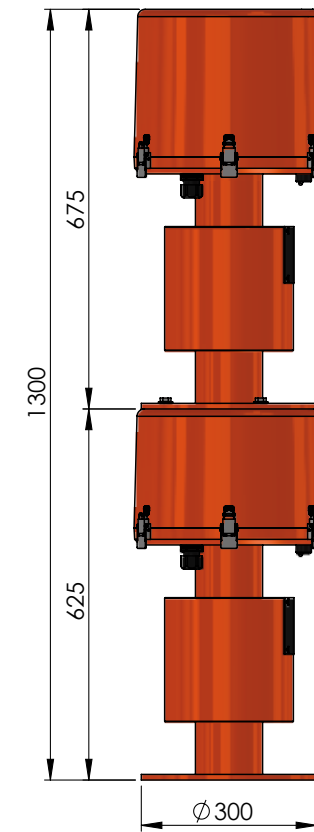
Size
Compact and lightweight design easy to transport.



Outgoing signal 360 degree
Custom made driver is well protected against the salt marine environment.



Safety latches
For easy access during maintenance and configuration.



Main Technical Specification

Supply voltage	11 - 15 VDC
Input power	100 W
Signal output	133,2 db
Output frequency	664 Hz
Nominal range	2 Nautical miles
Body material	Corrosion resistant Aluminium
Weight	67 kg
Degree of protection	IP 66
Temperature range	-40°...+65°C
Certification	USCG Title 33 Code of Federal Regulations Part 67